



# Instructionmanual Light Duration

Item 97540

## Feature Description:

The system of Light Duration WilTec Wildanger GmbH is designed to operate at 12-14V DC. It is used to control various switching times of different components. After connecting to operating voltage and a signal was given to the control line, the output relays are shut for the time, chosen at the control knob. And the consumers will work.

## Features:

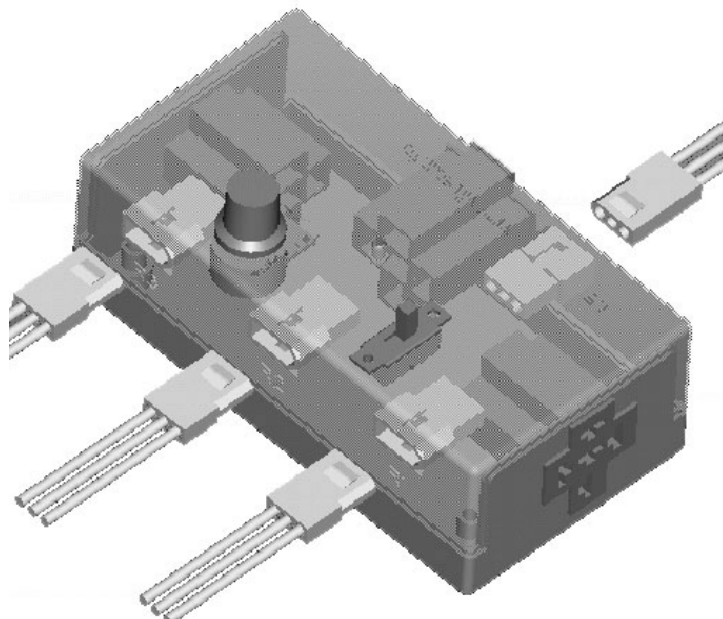
- Free time setting by knob
- Switching the control signal between positive and negative control
- Three individually controlled outputs with a switching capacity to 40A

## Delivery:

- 1x Light duration control unit
- 3x power relay 12V/40A
- 1x cable set operating voltage + control signal with fuse holder in the operating voltage power line
- 3x cable set output control line

## Assembly Notes:

- Control Unit must be protected from moisture
- Install well fixed in secure location
- Do not install in the vicinity of inflammable goods



**Connection:**

Connect the red wire to “+” 12V and the black wire to “-“12V. The green wire is the signal cable, which is connected to either a positive or a negative signal line. The connector is plugged on the input side.

**Relais:**

The required number of relays are plugged into the relay holders. The relay holders 1-3 are equally wired

**Relay outputs:**

**Green:** is the input, must always be connected.

**Red:** will be interrupted when relay is operated

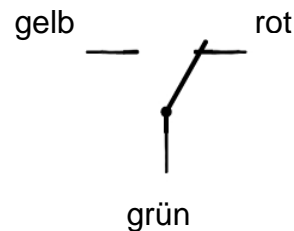
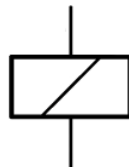
**Yellow:** will be connected when relay is operated

If you want to operate a consumer (e.g. a lamp) for a decided time via the relay, you must connect the following wires: from the power source coming to green, connect to the lamp to yellow. Red is not connected. If you want to operate another function in passive state, e.g. an indicator lamp shall light, the indicator lamp is connected to the red wire. The combinations of the circuits can of course be chosen freely, you must only respect, that the circuits or relays are not overburdened. Once again in terms of numbers, per relay max. 40A. This corresponds to a max. operating performance of 480W.

---

To build the relay control and to illustrate how the relay.

The suppression of the relay coil is located inside the light duration, the connection is made as soon as you plug in the relay.



These are the outputs that you outside the Light-Duration beschalten and control your consumers.